



BROWN & GAMMONS LTD

Tel: 01462 490049 Fax: 01462 491940

www.ukmgparts.com

sales@ukmgparts.com

SEAT BELT FITTING KIT—GAC7196

MGB/C ROASTER PRE 1977 & 1275/1500 MIDGET

The seat belt mounting brackets supplied are identical to those supplied for the 1977 onwards MGB models, which had the distinct advantage of placing the belts in a correct location for both safety and ease of operation without fouling the hood when folded down. Please note this kit is also suitable for all 1275 and 1500 Midgets.

Contents:

1 x LH Seat Belt bracket	2 x 5/8" Split washers
1 x RH Seat Belt bracket	2 x 2" square re-inforcement plates
2 x 5/8" AF x 1 1/4" bolts	2 x Distance spacers
2 x 5/8" AF Nyloc Nuts	
4 x 5/8" AF shakeproof washers	

WARN-

Check

inner wheel arches are free from rust and corrosion before fitting. If in doubt consult your local garage or MoT station and carry out any repairs necessary BEFORE fitting the seat belt brackets.

ING -

that you

Fitting instructions: *Please read completely before starting the fitting procedure.*

1. Starting at the offside (driver's side) and using the template supplied, mark onto the vertical face of each inner wheel arch where the hole needs to be drilled. The carpet and rear cockpit panel should remain in place to give correct dimensions.
2. Jack up the rear of the car and remove the wheel on the side you are working.
3. Now drill a 1/2" hole through the wheel arch from the inside of the car, using the point already marked with the template.
4. Assemble the bracket into position in the following order
 - a. Split washer onto the bolt
 - b. Bolt through the bracket
 - c. Shakeproof washer onto the bolt
 - d. Spacer onto the bolt
 - e. Shakeproof washer onto the bolt
 - f. F Bolt through the wheel arch
 - g. 2" square re-inforcement plate onto the bolt inside the wheel arch
 - h. Nyloc nut onto the end of the bolt
 - i. Check horizontal positioning of the bracket then tighten to 40lb ft
 - j. Grease lightly over the bolt and re-inforcement plate inside the wheel arch to help prevent corrosion and aid disassembly
5. Replace the road wheel and repeat the procedure on the other side. The diagrams and photo further on should help in the assembly and positioning of the brackets.

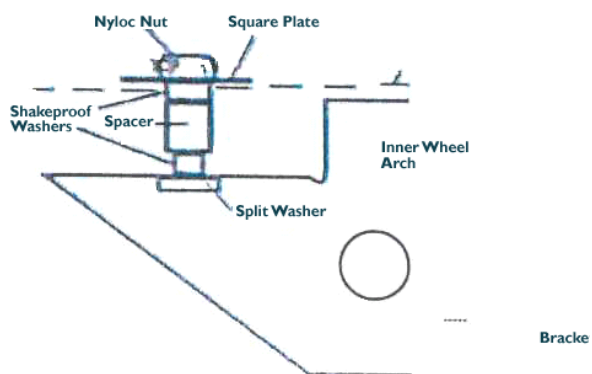
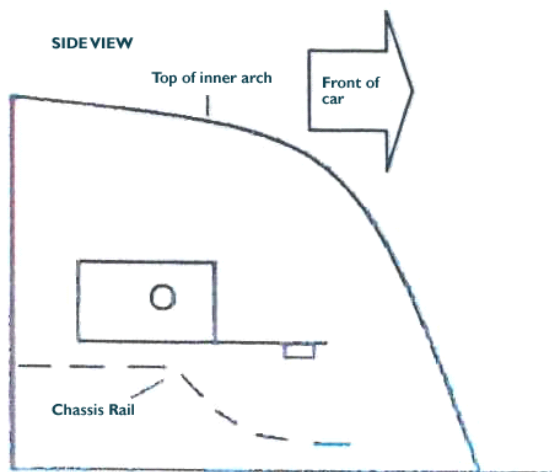


BROWN & GAMMONS LTD

Tel: 01462 490049 Fax: 01462 491940

www.ukmgparts.com

sales@ukmgparts.com



LEFT HAND SEAT BELT

RIGHT HAND SEAT BELT





BROWN & GAMMONS LTD

Tel: 01462 490049 Fax: 01462 491940

www.ukmgparts.com

sales@ukmgparts.com

